

data sheet

Cold Beam Chill roof

specifications for the Cold Beam Chill roof

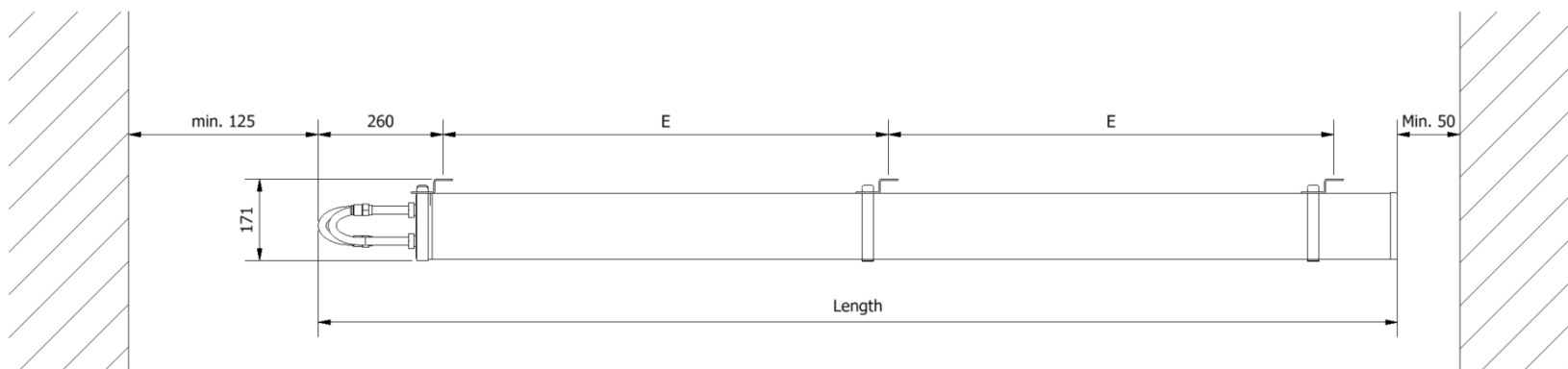
English



type	number	module										Rev 1.0
CBCr	2 / 3 / 4	1000	1500	2000	2500	3000	3500	4000				25-04-2019

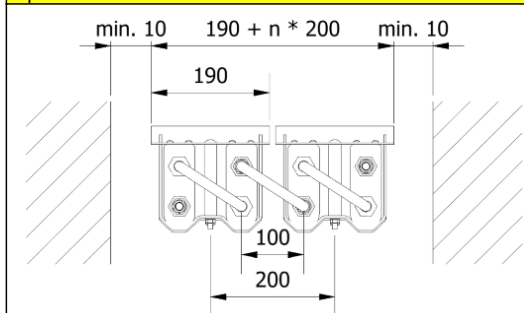
dimensions

side view

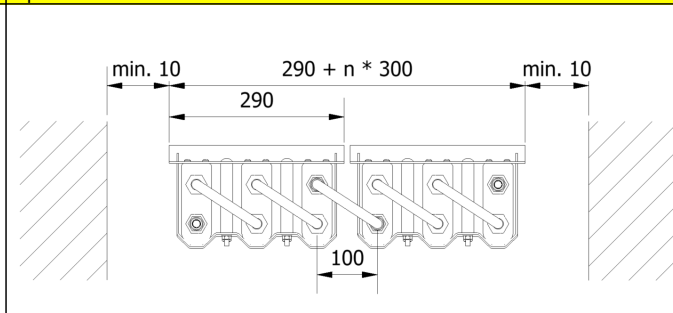


front view

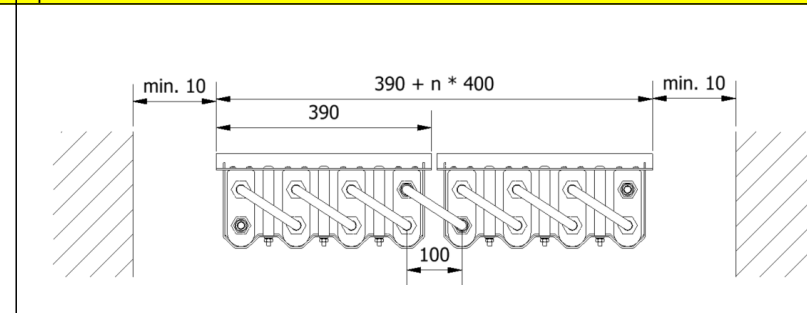
2 pack roof mounted



3 pack roof mounted



4 pack roof mounted



All sizes are presented in millimetres. See for installation the BoTemp instruction manual.

data sheet

Cold Beam Chill roof

specifications for the Cold Beam Chill roof

English



type	number	module									Rev 1.0
CBCr	2 / 3 / 4	1000	1500	2000	2500	3000	3500	4000			25-04-2019

dimensions

length	2 / 3 / 4 pack	1260	1760	2260	2760.0	3260	3760	4260	[mm]
suspension E	2 / 3 / 4 pack	2 x 500	2 x 650	2 x 930	3 x 750	3 x 930	4 x 830	4 x 930	[ul x mm]
width	single beam	50							[mm]
	2 pack	190							[mm]
	3 pack	290							[mm]
	4 pack	390							[mm]

general tolerances from 400 up to 1000 ±8 mm

over 1000 up to 2000 ±12 mm

over 2000 up to 4000 ±16 mm

weight

weight	Single beam	7.6	11.5	15.3	19.1	22.9	26.7	30.6	[kg]
	2 pack	18.5	26.0	33.6	43.8	51.7	51.0	65.7	[kg]
	3 pack	27.3	38.5	49.9	65.1	76.9	88.3	97.7	[kg]
	4 pack	36.3	51.3	66.6	86.8	102.5	117.6	130.3	[kg]

Mount each cold beam package with sufficient M10 bolts in a reinforced insulated ceiling. Avoid cold bridges. See for installation the Botemp instruction manual.

All sizes and weights are subject to changes, BoTemp has the right to change this without prior informing the client.

holdover capacity

capacity	Single beam	422	633	844	1055	1266	1477	1688	[Wh]
	2 pack	844	1266	1688	2110	2532	2954	3376	[Wh]
	3 pack	1266	1899	2532	3165	3798	4431	5064	[Wh]
	4 pack	1688	2532	3376	4220	5064	5908	6752	[Wh]
radiation surface	Single beam	0.33	0.50	0.67	0.83	1.00	1.17	1.33	[m²]
	2 pack	0.67	1.00	1.33	1.67	2.00	2.33	2.66	[m²]
	3 pack	1.00	1.50	2.00	2.50	3.00	3.50	4.00	[m²]
	4 pack	1.33	2.00	2.66	3.33	4.00	4.66	5.33	[m²]

refrigeration circuit

length	single beam	2.1	3.1	4.1	5.1	6.1	7.1	8.1	[m]
	2 pack	4.4	6.4	8.4	10.4	12.4	14.4	16.4	
	3 pack	6.8	9.8	12.8	15.8	18.8	21.8	24.8	
	4 pack	9.1	13.1	17.1	21.1	25.1	29.1	33.1	
volume	single beam	0.3	0.4	0.5	0.7	0.8	0.9	1.1	[dm³]
	2 pack	0.6	0.8	1.1	1.4	1.6	1.9	2.2	
	3 pack	0.9	1.3	1.7	2.1	2.5	2.9	3.3	
	4 pack	1.2	1.7	2.3	2.8	3.3	3.9	4.4	

hairpin

tube size ODxID 16x13 mm

stainless steel 1.4404 / AISI 316L

design pressure 30 bar